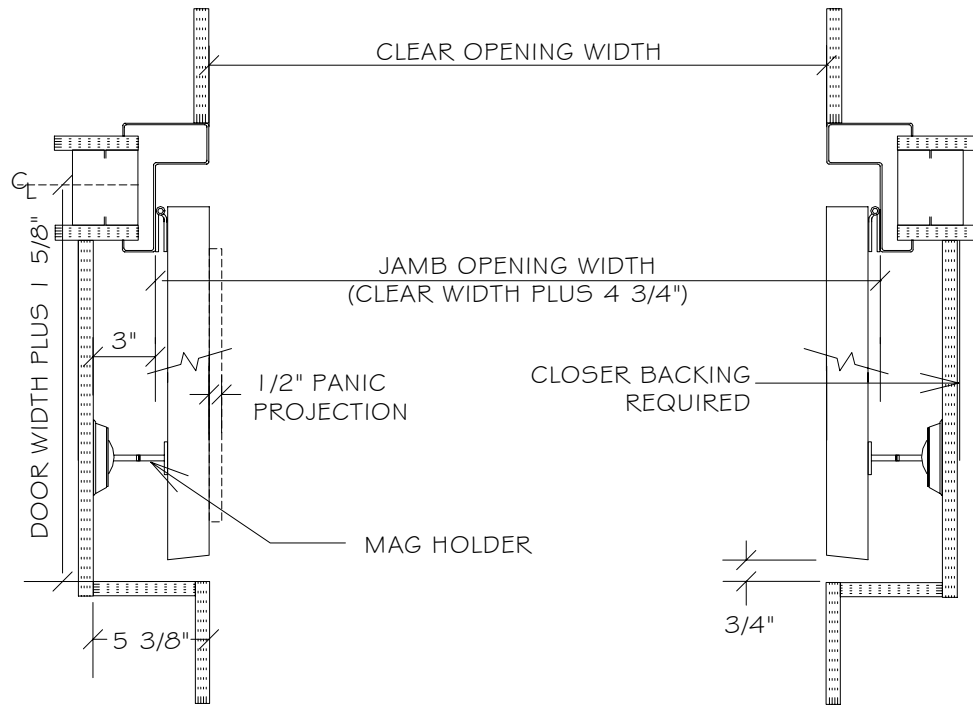
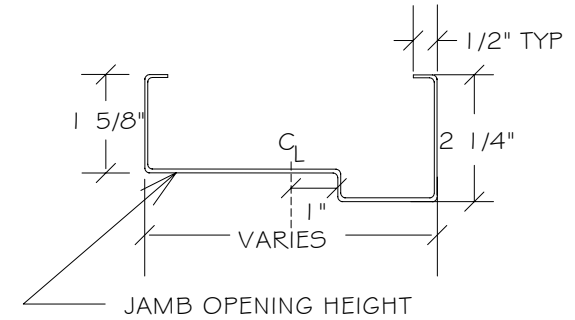


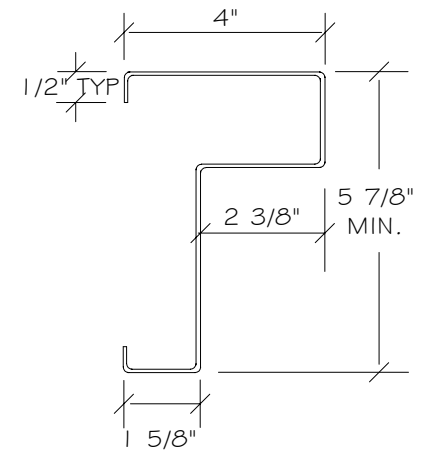
PLAN VIEW



HEAD SECTION



JAMB SECTION



NOTE:
ALL DIMENSIONS PERTAINING TO POCKET WIDTH, DEPTH AND SOFFIT CLEARANCES ARE "NET TO FINISH". ALLOWANCES MUST BE MADE FOR WALL AND CEILING FINISHES, BASE BOARD, CROWN MOULDING, ETC.

INTERSTATE DOOR SALES, INC.

90° PAIR HOLD OPEN DOORS

DWG NO: P9090P

DATE: 08/10/06

SCALE: NONE

DRAWN BY: L. WALSH