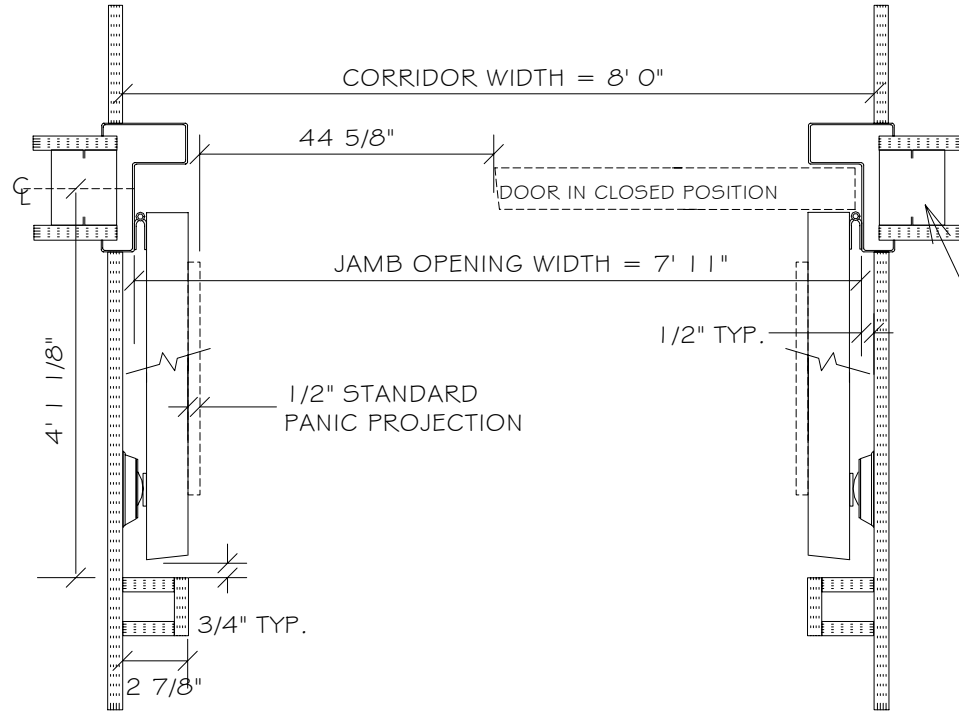
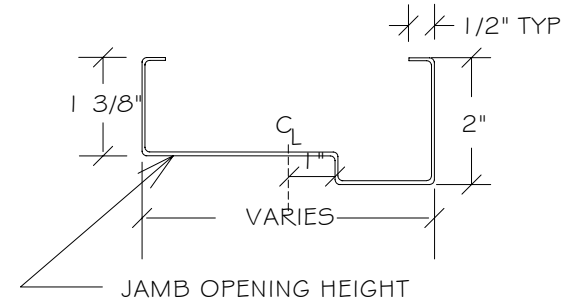


PLAN VIEW

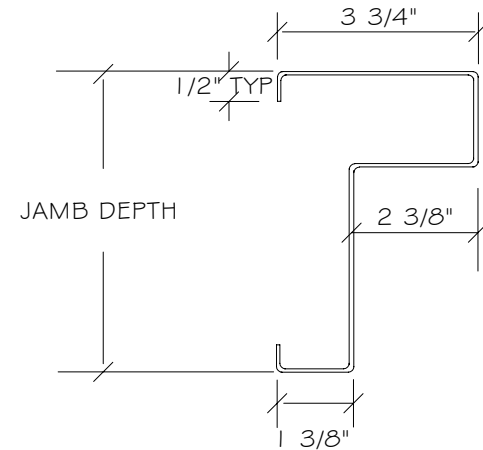


HEAD SECTION



PARTITION TYPE
MAY VARY

JAMB SECTION



NOTES:
ALL DIMENSIONS IN REFERENCE TO POCKET
WIDTH, DEPTH, AND SOFFIT CLEARANCES
ARE "NET TO FINISH". ALLOWANCES MUST
BE MADE FOR WALL AND CEILING FINISHES,
BASE BOARD, CROWN MOULDING, ETC.

THIS DETAIL MEETS OSHPD REQUIREMENTS
FOR 44" CLEARANCE WITH ONE LEAF CLOSED.

CLOSERS ARE SURFACE MOUNTED PARALLEL
ARM.

INTERSTATE DOOR SALES, INC.

90° PAIR HOLD OPEN DOORS
IN 8' 0" CORRIDOR

DWG NO: OSHPD-P90PH

DATE: 08/10/06

SCALE: NONE

DRAWN BY: L. WALSH