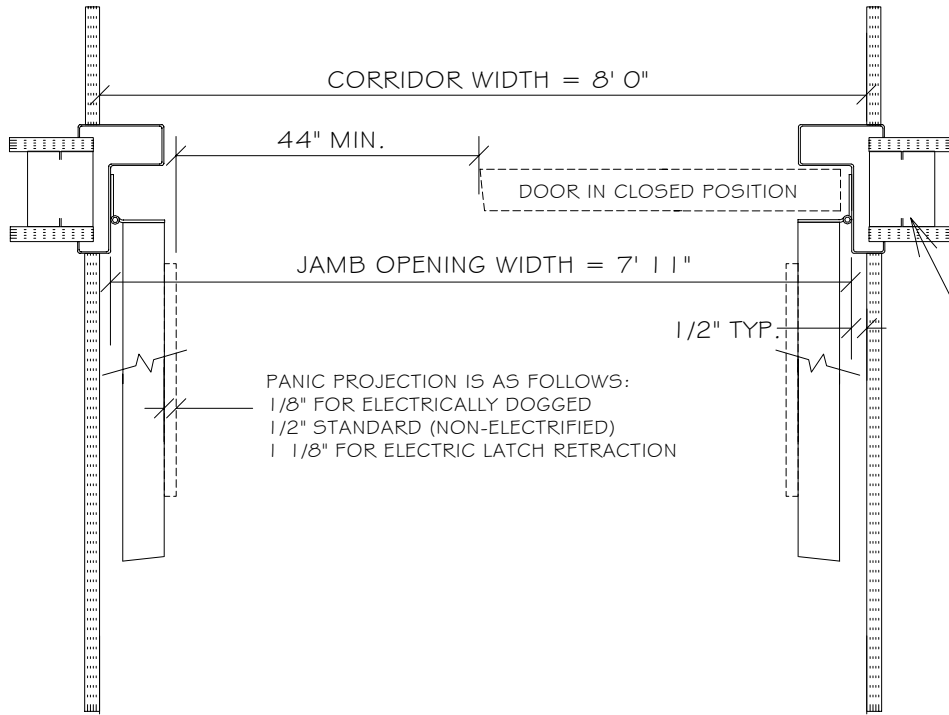
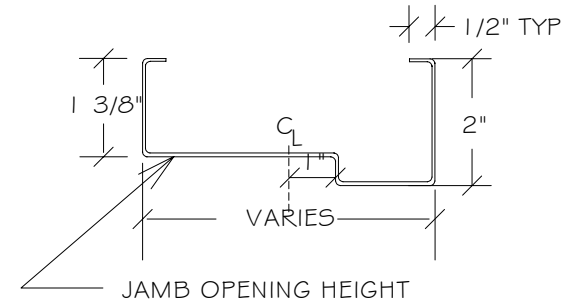


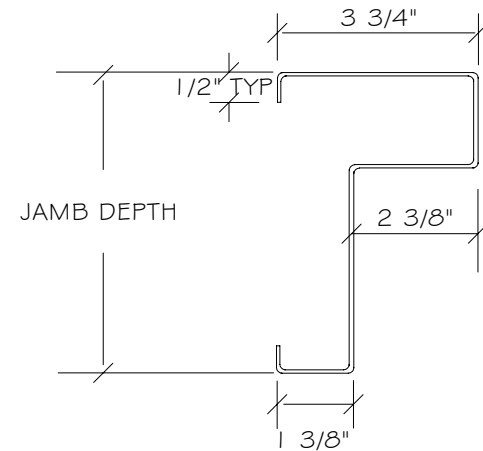
PLAN VIEW



HEAD SECTION



JAMB SECTION



NOTES:

THIS DETAIL MEETS OSHPD REQUIREMENTS FOR 44" CLEARANCE WITH ONE LEAF CLOSED.

CLOSERS/AUTO OPERATORS ARE SURFACE MOUNTED PARALLEL ARM.
 EXIT DEVICES ARE RECESSED AND HAVE RECESSED PULL TRIM.
 CONTINUOUS HINGES ARE OUR #1019.

INTERSTATE DOOR SALES, INC.

90° PAIR NON-HOLD OPEN DOORS
 IN 8' 0" CORRIDOR

DWG NO: OSHPD-P90N

DATE: 08/10/06

SCALE: NONE

DRAWN BY: L. WALSH