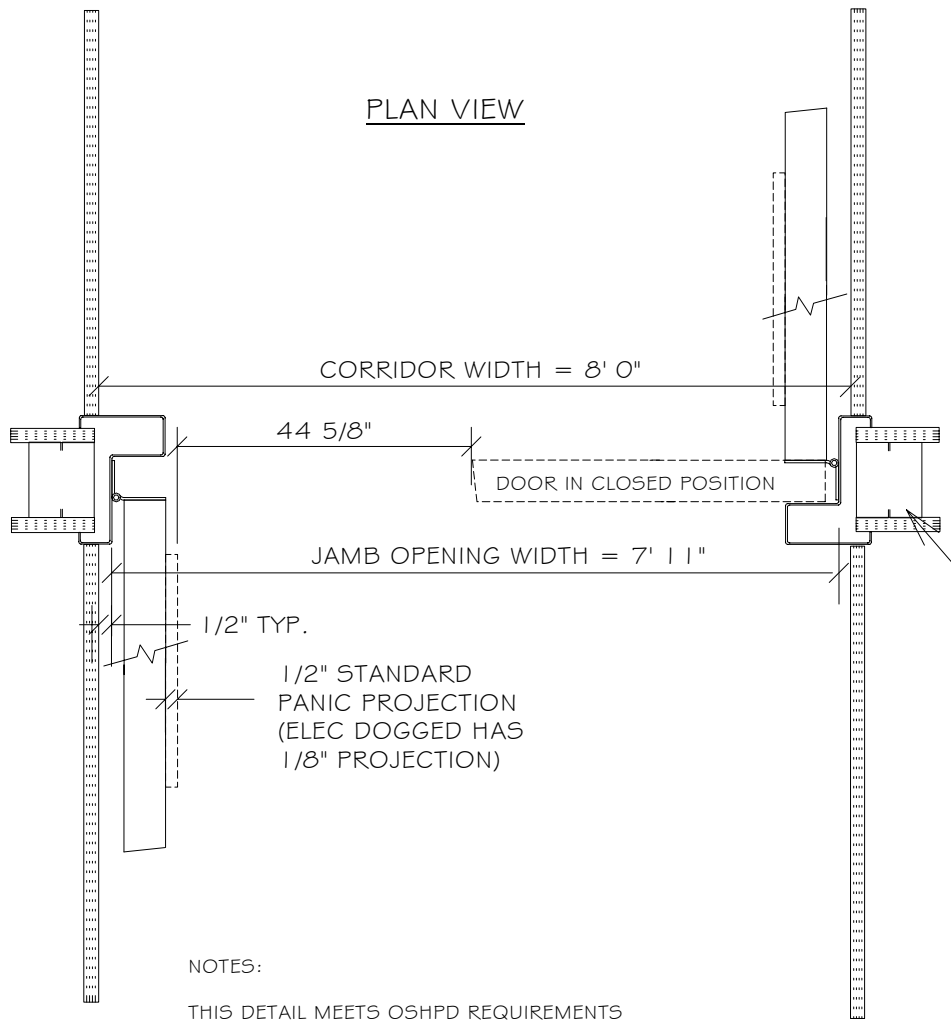


PLAN VIEW

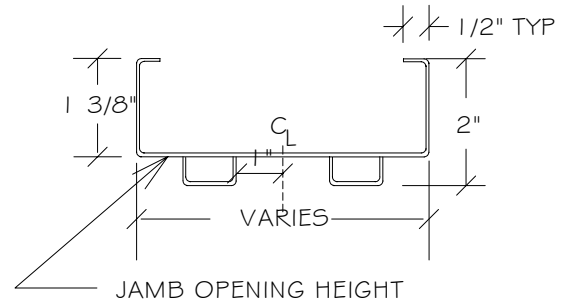


NOTES:

THIS DETAIL MEETS OSHPD REQUIREMENTS FOR 44" CLEARANCE WITH ONE LEAF CLOSED.

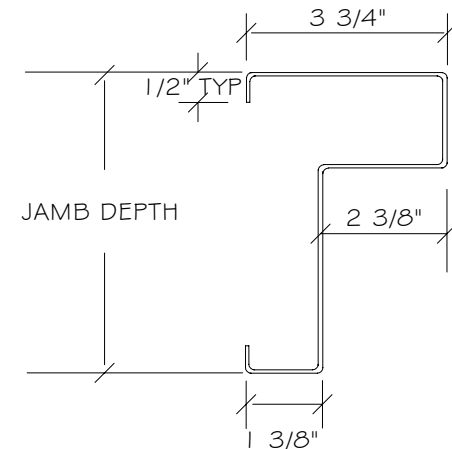
CLOSERS/AUTO OPERATORS ARE SURFACE MOUNTED PARALLEL ARM.
 EXIT DEVICES ARE RECESSED AND DO NOT HAVE PULL TRIM.
 CONTINUOUS HINGES ARE OUR #1019.

HEAD SECTION



PARTITION TYPE MAY VARY

JAMB SECTION



INTERSTATE DOOR SALES, INC.

90° DUAL EGRESS NON-HOLD OPEN DOORS
 IN 8' 0" CORRIDOR

DWG NO: OSHPD-DE90N

DATE: 08/10/06

SCALE: NONE

DRAWN BY: L. WALSH